



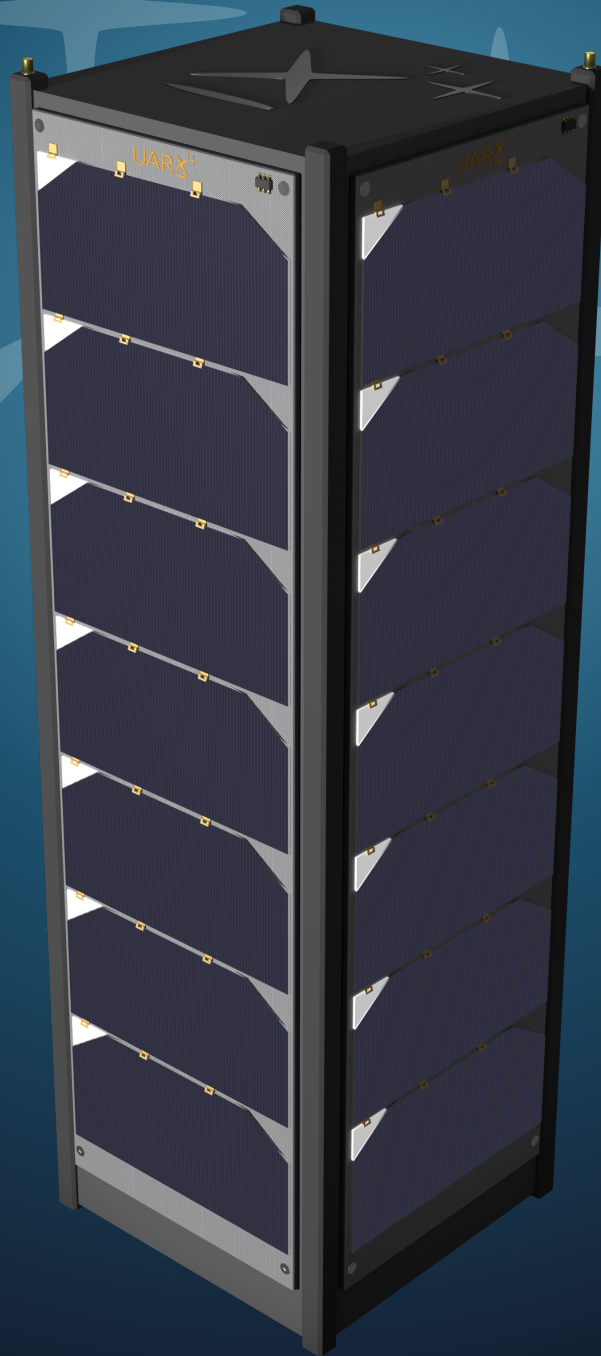
www.uarx.com

UARX-Q-CRE-0042-B

Rev. 0

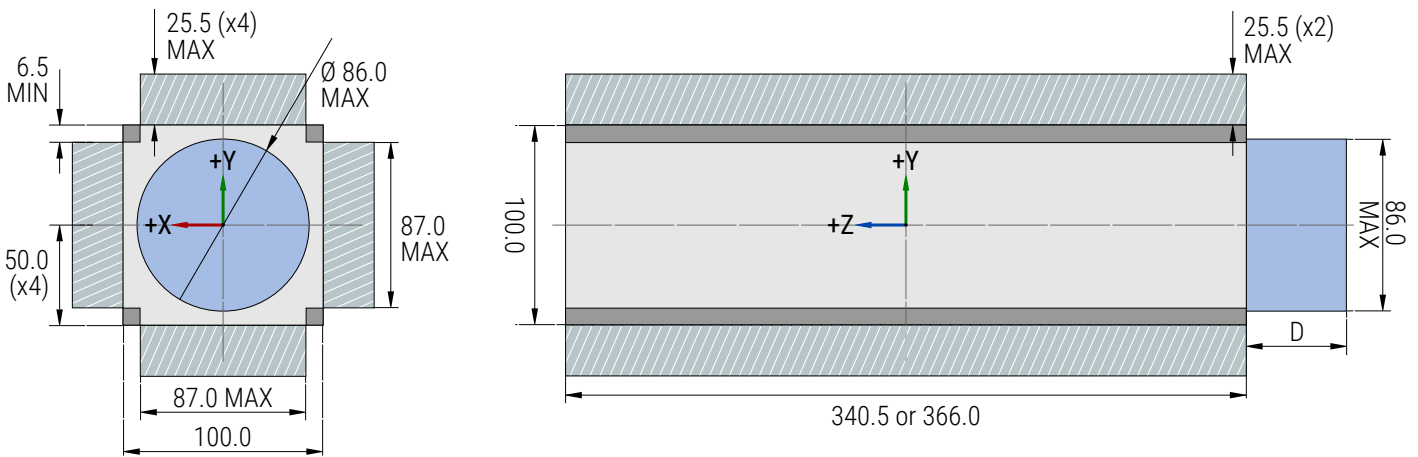
February 3, 2025

UARX Space's Launch & Transportation Services



Allocation Quick Specs - 3U CubeSat

Your ride in Space.



All dimensions are in mm.
 Tolerance ± 0.1 mm.

RAMI deployers accept two lengths of CubeSats, the standard with 340.5mm, and the XL with 366mm. Customers can take advantage of the extra-room RAMI provides, including 25.5mm of protrusions allowance in the dynamic envelope.

Technical Specification	3U	3U-XL
Maximum payload mass [kg]	7.5	7.5
Number of Tuna Can available	1	1
Surface roughness [μm]	<1.0	<1.0
Maximum center of gravity deviation ¹ in X [mm]	± 20.0	± 20.0
Maximum center of gravity deviation ¹ in Y [mm]	± 20.0	± 20.0
Maximum center of gravity deviation ¹ in Z [mm]	± 70.0	± 70.0
Maximum Tuna Can length (reference D) [mm]	75.5	50.0

¹Deviation is measured from the geometric center of the 3U spacecraft